

SRX Hazardous-Area Silicone Rubber Heating Blankets

Product Highlights

- ✓ Hazardous-area rated
- ✓ Suitable for large range of surfaces like tanks, hoppers, conveyors, silos, etc.
- ✓ Exceptional durability
- ✓ Moisture and chemical resistant
- ✓ Easy-to-apply industrial strength pressure sensitive adhesive backing option
- ✓ Grounded heating element meets NEC 427.23



Class I Division 2 Groups A, B, C, and D
Class II Division 2, Groups F and G

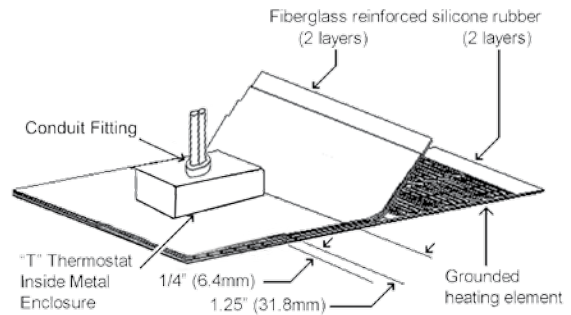


Specifications:

- 0.75" (19mm) conduit fitting
- High-limit thermostat designed to keep blanket below NEC article 500 T-rating

T Rating	NEC Temperature	Actual High Limit Thermostat
T3	392°F (200°C)	292°F (145°C)
T4A	248°F (120°C)	158°F (70°C)

- Silicone rubber power leads 12" (305mm) long
- Power density of 2.5 watts/in² (.004 watts/mm²)
- Patented grounded heating element is laminated between two layers of 23 mil and two layers 25 mil fiberglass reinforced silicone rubber
- Nominal silicone rubber density of 26 oz/yd² (881 grams/m²) per layer
- Exposure temperature range: -60°F to 400°F (-51°C to 204°C)
- Dielectric strength of over 2000 volts
- Moisture, chemical, and radiation resistant
- Suitable for use on metal surfaces
- 120 or 240VAC



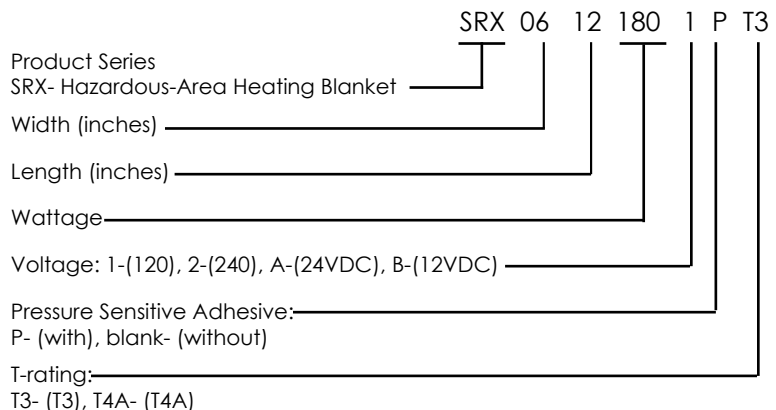
Ordering Information:

Standard Sizes and Wattage

Width in (mm)	Length in (mm)	Total Watts
6 (152)	12 (305)	180
6 (152)	24 (610)	360
12 (305)	12 (305)	360
12 (305)	24 (610)	720
24 (610)	24 (610)	1440

NEW VOLTAGES

Part Number Matrix

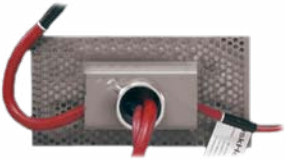
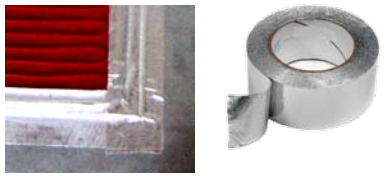




Note: Plug not included

IMPORTANT: Temperature controller is required for this product. See pages 80 through 100 for options.

Other Sizes and Designs Available: Contact your local distributor or BriskHeat® for more information.

Silicone Rubber Heating Blanket Accessories

Accessory	Part Number	Usage
<p>Strain Relief/Conduit bracket</p> 	<ul style="list-style-type: none"> SRLCB 	<p>Provides a strain relief for the blanket power wires and a mounting means for a 3/4" (19mm) electrical conduit.</p>
<p>Aluminum adhesive tape</p> 	<ul style="list-style-type: none"> AAT2180 (2" x 180') 	<p>Maintains the heating blanket in intimate contact with the surface to be heated while pressure sensitive adhesive cures. Temperature limit: 550°F (288°C).</p>
<p>Heat Conductive Putty</p> 	<ul style="list-style-type: none"> HCP1 (1lb / 0.5kg) HCP3 (3lb / 1.4kg) 	<p>Used to fill any voids between blanket and surface being heated.</p>
<p>NEW INS Insulation</p> 	<ul style="list-style-type: none"> INS11050 INS15050 INS48025 	<p>Cost effective, flexible thermal insulation for pipes and vessels.</p>